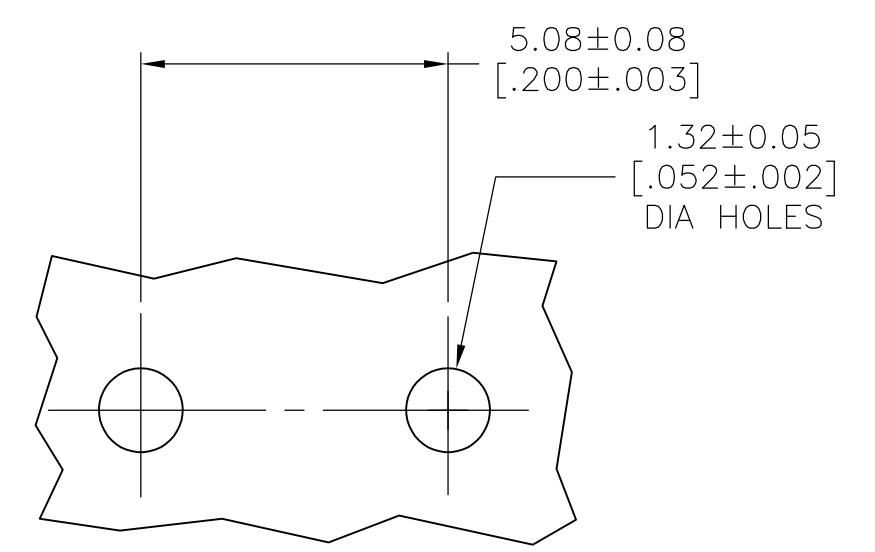
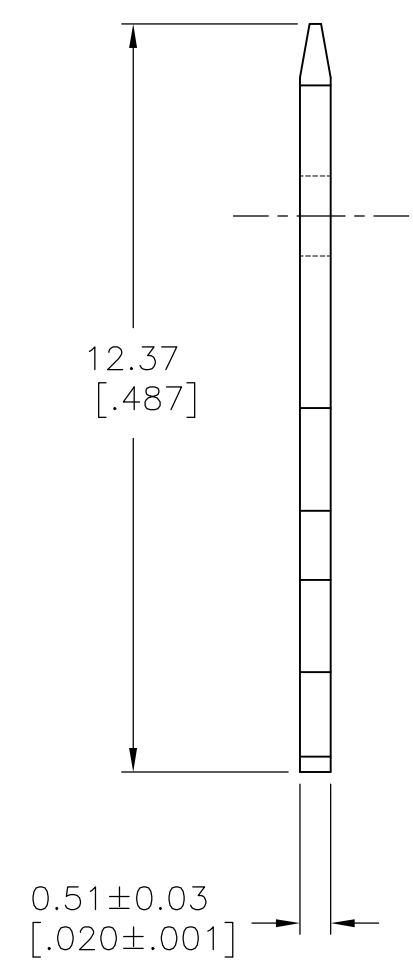
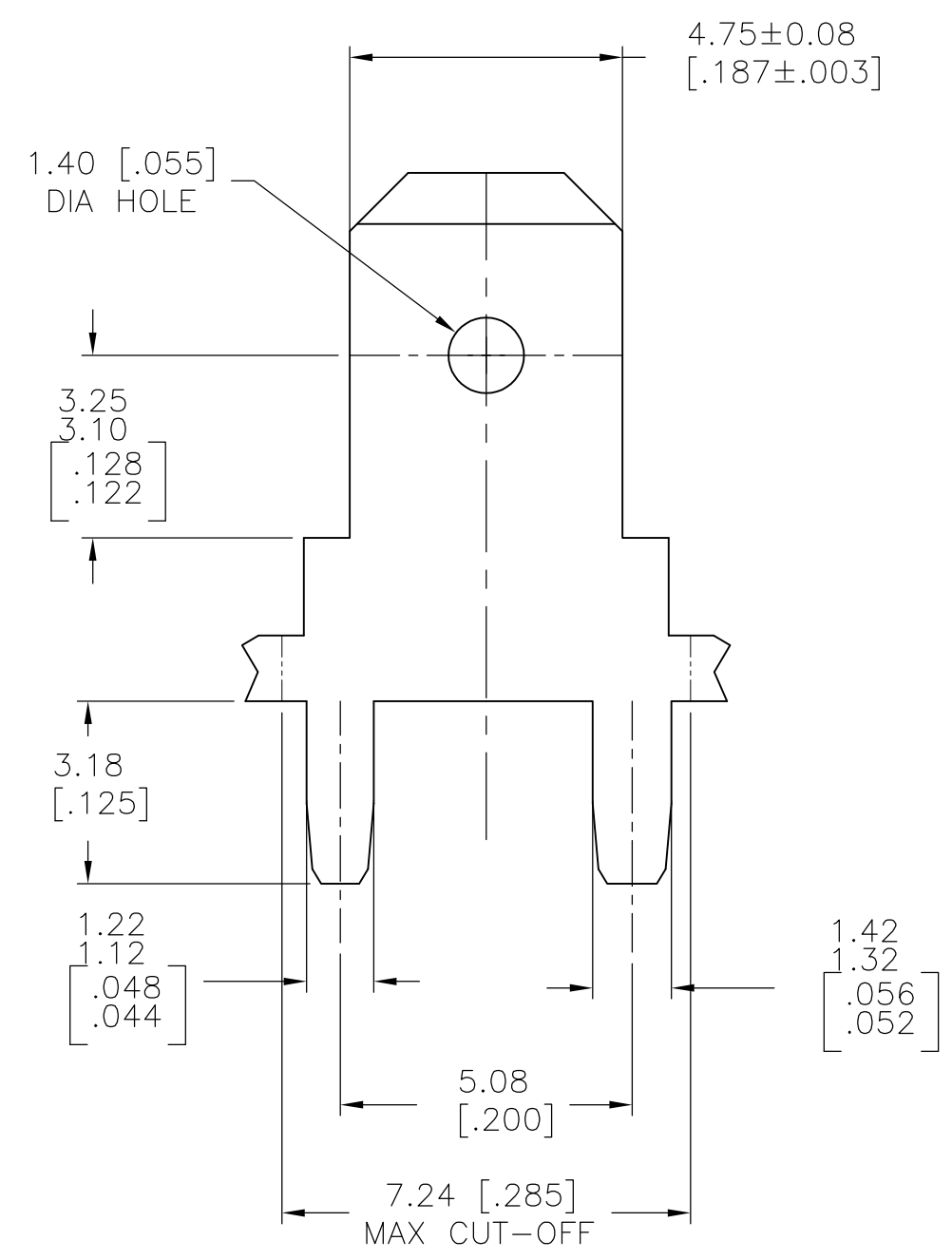


THIS DRAWING IS UNPUBLISHED. RELEASED FOR PUBLICATION
 © COPYRIGHT - By - ALL RIGHTS RESERVED.

LOC	DIST	REVISIONS					
		P	LTR	DESCRIPTION	DATE	DWN	APVD
-	-		E	REVISED PER ECR-13-001204	21JUN13	KH	PD

- 1 CONTINUOUS STRIP ON REELS.
- 2 0.00381 [.000150] MIN TIN OVER
0.00254 [.000100] MIN THK COPPER.



63603-1
PART NUMBER

THIS DRAWING IS A CONTROLLED DOCUMENT.		DWN JR RUTH 30NOV00	TE Connectivity						
DIMENSIONS: mm [INCHES]		CHK MS FEHER 30NOV00							
TOLERANCES UNLESS OTHERWISE SPECIFIED:		APVD G PORTA 30NOV00	NAME TAB, FASTON, PC BOARD, 4.75 [.187] SERIES						
		PRODUCT SPEC -	APPLICATION SPEC -		SIZE A3	CAGE CODE 00779	DRAWING NO C-63603	RESTRICTED TO -	
MATERIAL BRASS		FINISH TIN OVER COPPER	WEIGHT -		CUSTOMER DRAWING		SCALE 8:1	SHEET 1 OF 1	REV E